

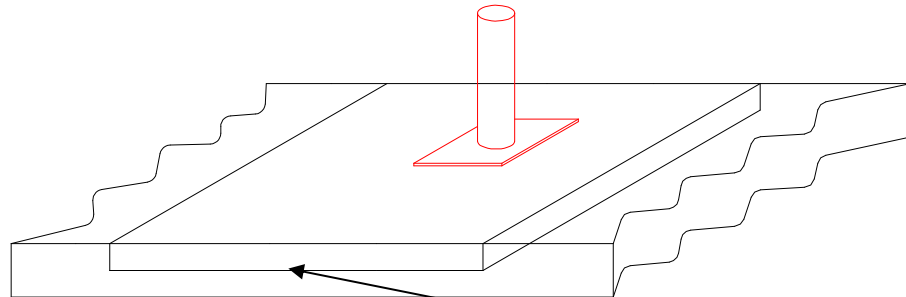
# Eglin PS Outdoor Platform Seat Unit



Concourse  
International

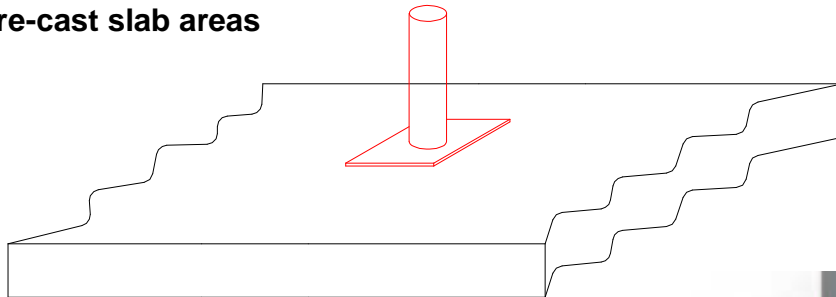
## Floor fixing detail

### Tarmac & Monoblock areas



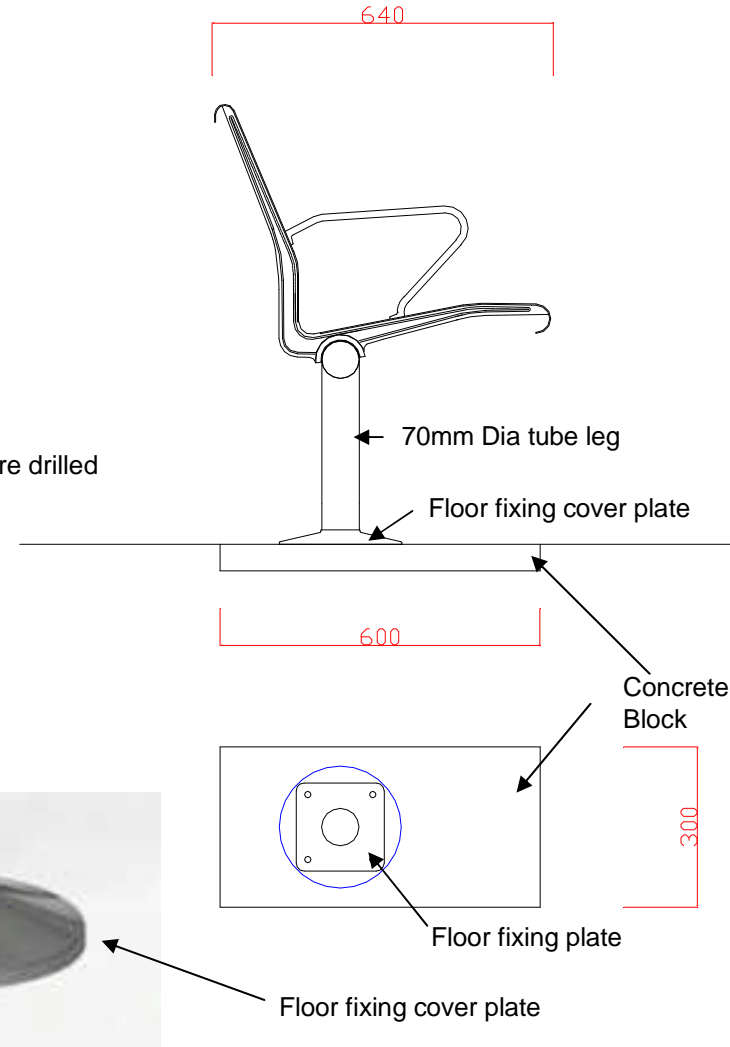
600 X 300 X 50 Concrete block Pre drilled  
And fitted with fixing plate

### Pre-cast slab areas



Bench leg connected to concrete foundation  
With Hilti rod and resin

Holes drilled into concrete using positioning jig  
provided by Eglin.



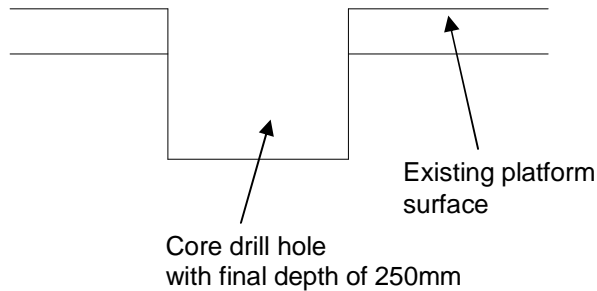
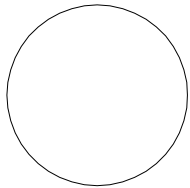
# Eglin **PS** Outdoor Platform Seat Unit

## Platform fixing detail for Tarmac platform surface (Alternative method which requires deeper excavation)



Concourse  
International

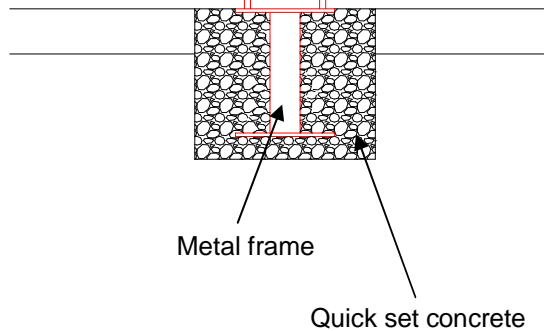
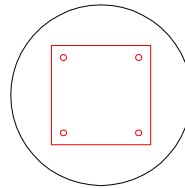
Stage 1 drill 300mm D  
Core hole



The Hilti DD200 coring system is used to cut the surface of the platform and water is used to suppress any dust produced by the cutting operation.

The loose hardcore is then removed by hand to give the final hole depth.

Stage 2 fix metal  
Frame in place with  
Quick set concrete



Stage 3 fix seat unit  
With metal cover plate  
Hiding concrete and  
Metal fixing

